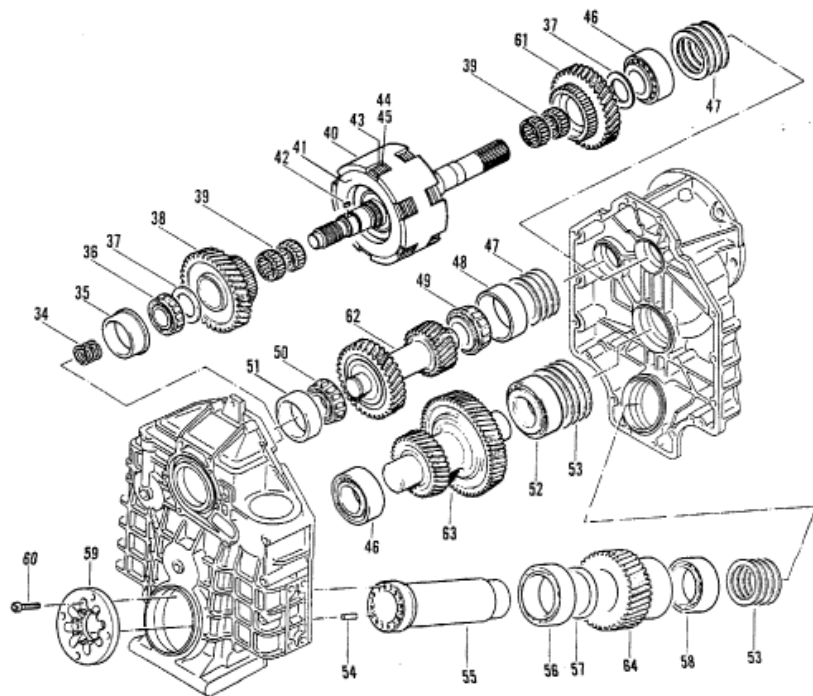


TRANSMISSION (V- DRIVE)



Parts List

Ref	Class	Part	Description	Qty	Comment	Footnote
-		814437A 1	TRANSMISSION (1.5:1 RATIO)	1		
-		814438A 1	TRANSMISSION (2.0:1 RATIO)	1		
-		814439A 1	TRANSMISSION (2.5:1 RATIO)	1		
34	53	813312	SNAP RING	3		
35	31	811970	TAPERED ROLLER BEARING C	1		
36	31	811969	TAPERED ROLLER BEARING C	1		
37	12	811967	WASHER	2		
38	43	813308	GEAR	1		
39	31	813307	ROLLER BEARING	4		
40		813306	INPUT SHAFT	1		
41		813322	PRESSURE DISC	2		
42	28	813313	KEY	1		
43	53	813321	SNAP RING	2		
44		813319	INNER CLUTCH DISC	8		
45		813320	OUTER CLUTCH DISC	10		
46	30	811968	BALL BEARING	2		
47	15	813315	SHIM (.10MM)	1		
47	15	813316	SHIM (.15MM)	1		
47	15	813317	SHIM (.20MM)	1		
47	15	813318	SHIM (.50MM)	1		
48	31	811979	TAPERED ROLLER BEARING C	1		
49	31	811978	TAPERED ROLLER BEARING C	1		
50	31	811971	TAPERED ROLLER BEARING C	1		
51	31	811977	TAPERED ROLLER BEARING C	1		
52	31	811972	TAPERED ROLLER BEARING	1		
53	15	811973	SHIM (.10MM)	2		
53	15	811974	SHIM (.15MM)	2		
53	15	811975	SHIM (.30MM)	2		
53	15	811976	SHIM (.50MM)	2		
54	17	811984	DOWEL PIN	4		
55		811980	OUTPUT SHAFT	1		
56	31	811985	TAPERED ROLLER BEARING	1		
57	12	811981	WASHER	1		
58	31	811986	TAPERED ROLLER BEARING	1		
59		811982	OUTPUT FLANGE	1		
60	10	811983	SCREW	8		
61	43	811987	GEAR (1.5:1 RATIO)	1		
62		811951	REVERSING SHAFT (1.5:1 RATIO)	1		
63		811952	INTERMEDIATE SHAFT (1.5:1 F)	1		
64	43	811950	GEAR (1.5:1 RATIO)	1		
61	43	811949	GEAR (2.0:1 RATIO)	1		